

## Toggle clamp spindle assemblies

### with swivel steel thrust pad

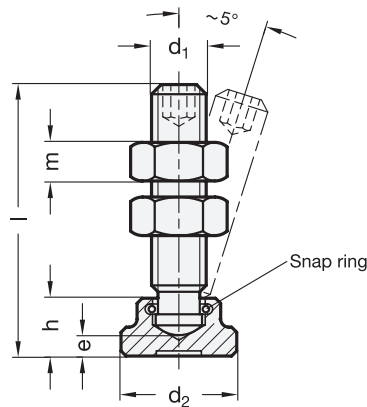
#### SPECIFICATION

Grub screw DIN 6332 (see page 912)  
 Steel  
 Thrust point hardened  
 blackened  
 Thrust pad DIN 6311 (see page 938)  
 Steel  
 case-hardened  
 Hexagon nuts ISO 4032 / DIN 934  
 Steel  
 zinc plated, blue passivated



#### INFORMATION

By means of the retaining ring in the thrust pad a simple and toggle link between bolt and thrust pad is created.  
 The two hexagon nuts are included parts of the order.



#### GN 802

Description	d1	l	d2	e	h	m	⚖
GN 802-M5-37	M 5*	37	14	-	10	4.7	30
GN 802-M6-32	M 6	32	12	2.2	7	5.2	15
GN 802-M6-42	M 6	42	12	2.2	7	5.2	17
GN 802-M6-52	M 6	52	12	2.2	7	5.2	19
GN 802-M8-38	M 8	38	16	3	9	6.8	28
GN 802-M8-48	M 8	48	16	3	9	6.8	30
GN 802-M8-63	M 8	63	16	3	9	6.8	35
GN 802-M8-83	M 8	83	16	3	9	6.8	41
GN 802-M10-44	M 10	44	20	3.6	11	8.4	53
GN 802-M10-54	M 10	54	20	3.6	11	8.4	58
GN 802-M10-64	M 10	64	20	3.6	11	8.4	63
GN 802-M10-84	M 10	84	20	3.6	11	8.4	72
GN 802-M12-55	M 12	55	25	4.5	13	10.8	92
GN 802-M12-65	M 12	65	25	4.5	13	10.8	96
GN 802-M12-85	M 12	85	25	4.5	13	10.8	110
GN 802-M12-105	M 12	105	25	4.5	13	10.8	120

\* Clamping bolt M5: bolt end and thrust pad are not hardened and not removable.